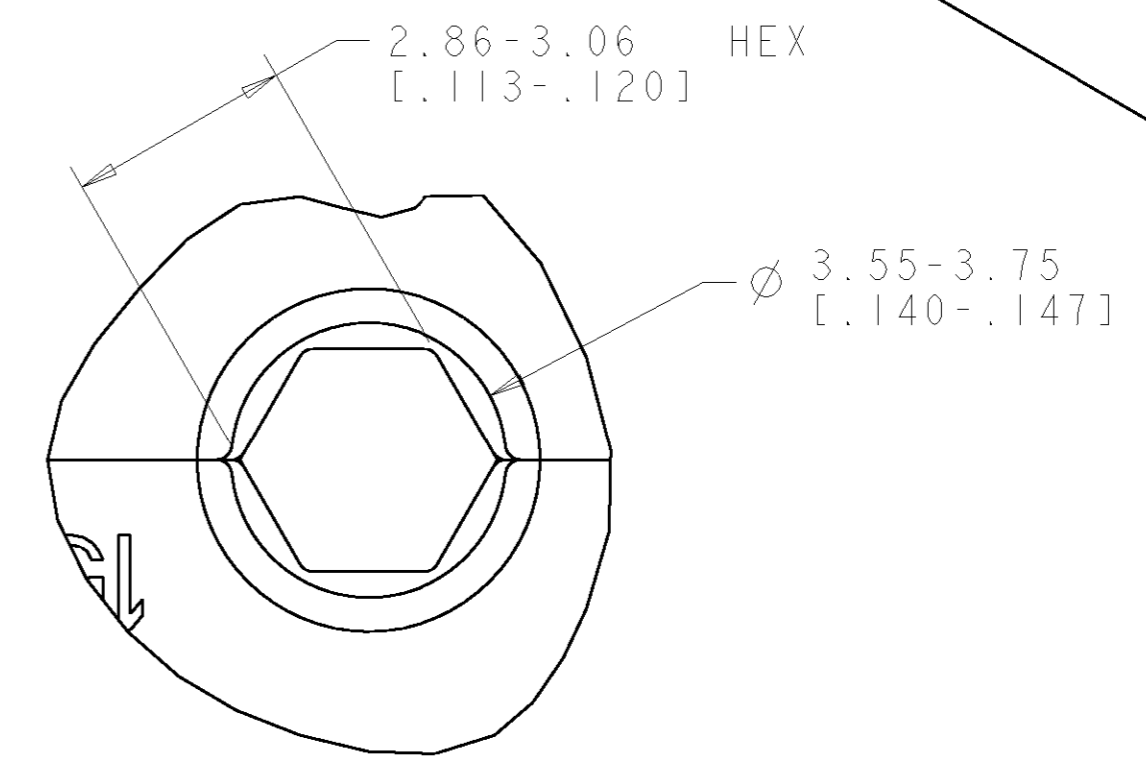
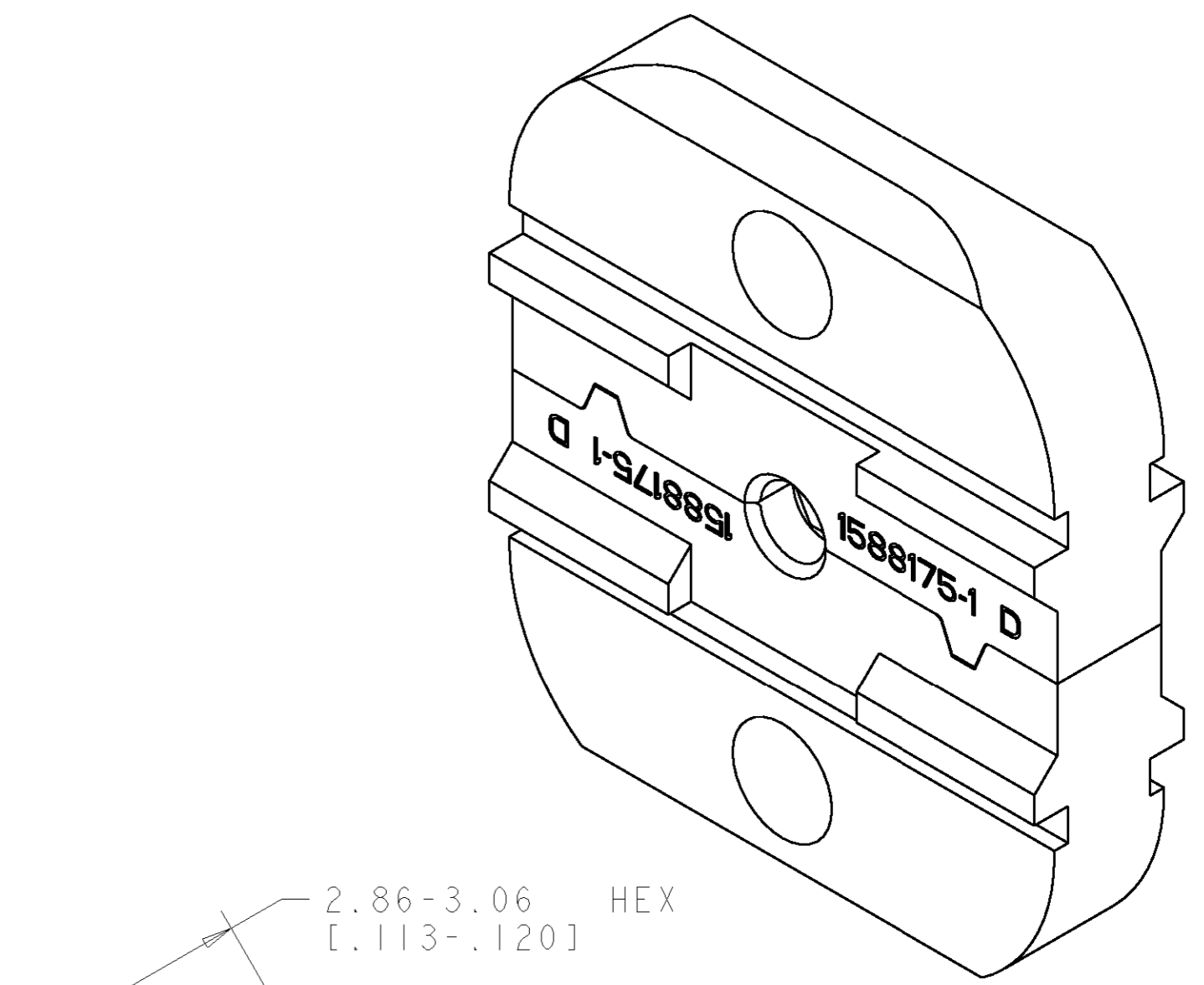
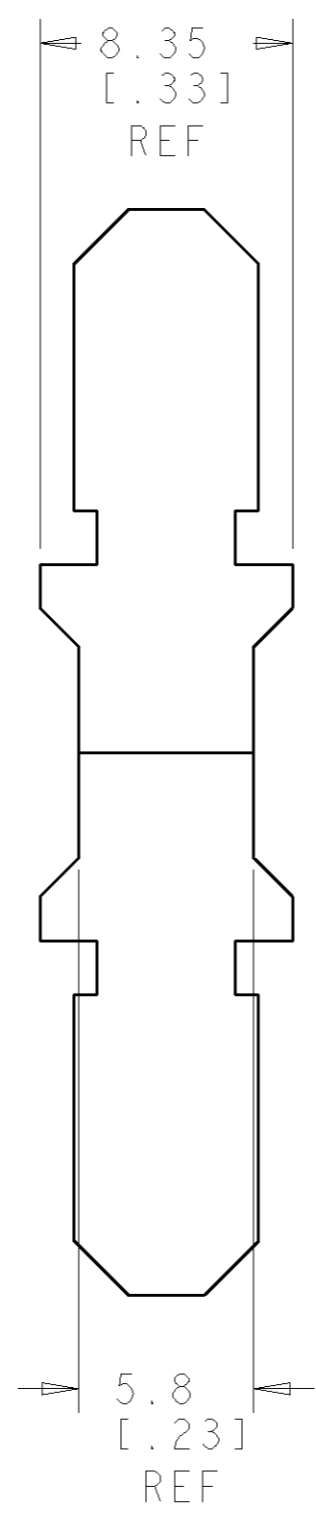
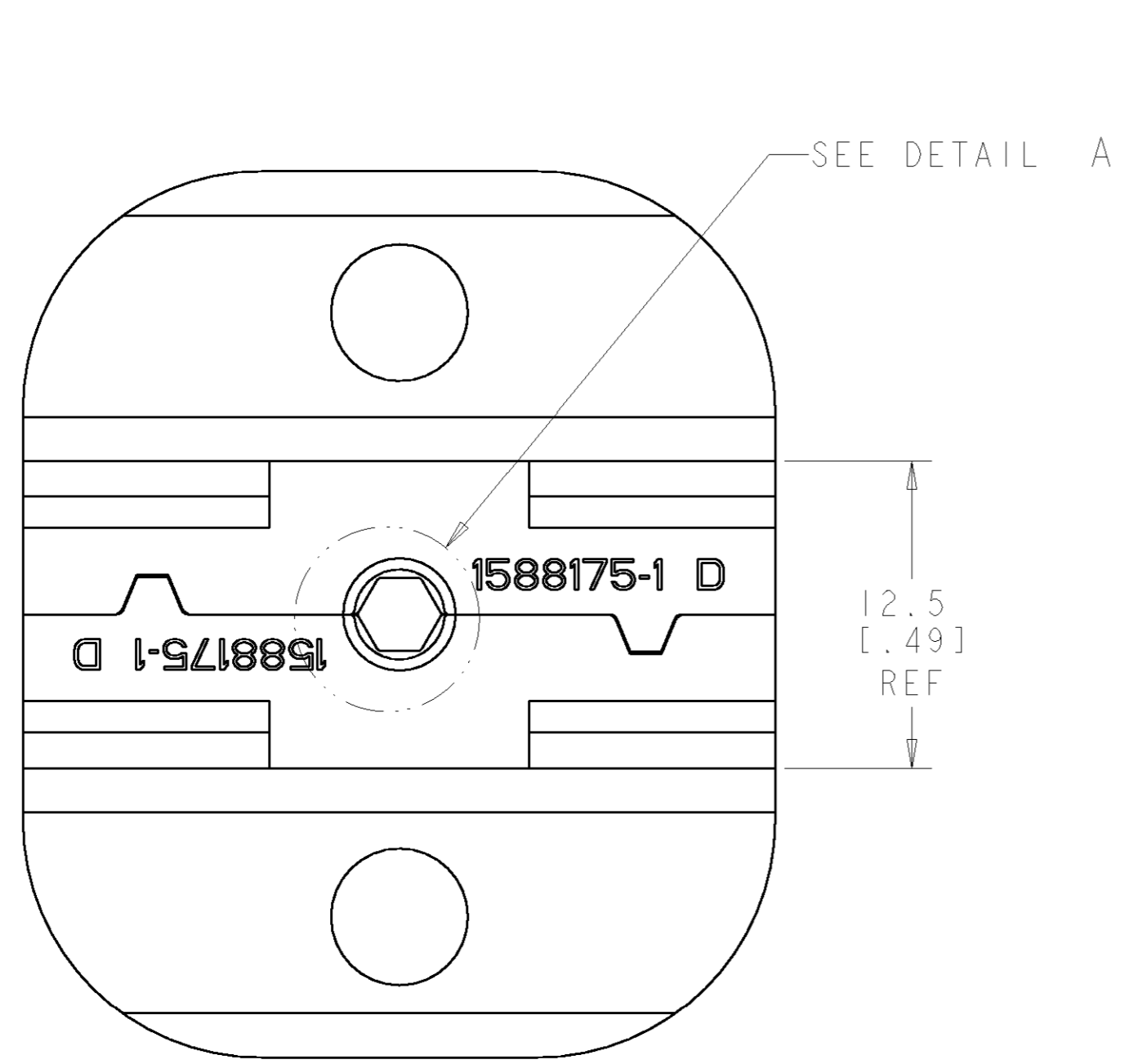


THIS DRAWING IS UNPUBLISHED. RELEASED FOR PUBLICATION 20  
 © COPYRIGHT 20 BY TYCO ELECTRONICS CORPORATION. ALL RIGHTS RESERVED.

LOC	DIST	REVISIONS					
		P	LTR	DESCRIPTION	DATE	DWN	APVD
CE	00	A		REV PER 0A00-0496-01	06DEC01	DDE	MB
		B		REL PER EC 0A00-0075-03	18FEB03	LGE	SM
		D		REVISE PER 0A00-0503-04	27SEP2004	BB	CB

1. DIMENSIONS TO BE INSPECTED WITH DIE HALVES FULLY MATED.



DETAIL A  
SCALE 10:1

1588175-1  
PART NO

THIS DRAWING IS A CONTROLLED DOCUMENT FOR TYCO ELECTRONICS CORPORATION IT IS SUBJECT TO CHANGE AND THE CONTROLLING ENGINEERING ORGANIZATION SHOULD BE CONTACTED FOR THE LATEST REVISION.		DWN D. ERDMAN 29NOV2001 CHK M. BURKHOLDER 29NOV2001 APVD S. BUCHTER 29NOV2001	<b>tyco</b> Tyco Electronics <b>Electronics</b> Harrisburg, PA 17105-3608
DIMENSIONS: mm [ INCHES ]	TOLERANCES UNLESS OTHERWISE SPECIFIED: 0 PLC ± 1 PLC ± 2 PLC ± 3 PLC ± 4 PLC ± ANGLES ± FINISH	PRODUCT SPEC - APPLICATION SPEC - WEIGHT -	NAME DIESET, LC AND AMP SC/FC TYPE, 1.6mm - 2.4mm CABLE SIZE A2 CAGE CODE 00779 DRAWING NO C-1588175 RESTRICTED TO -
MATERIAL -		CUSTOMER DRAWING	SCALE 4:1 SHEET 1 OF 1 REV D